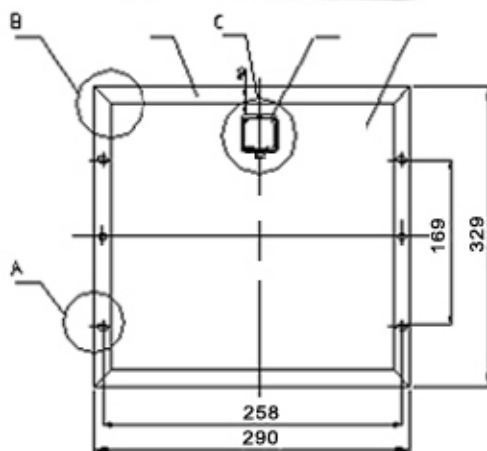




YL10(17)P329×290

Solar Module

- Solar Cell: High efficiency crystalline solar cell 14%. Even if under the weak light, the solar module can produce maximum power output.
- Tempered glass: Anti-reflecting coating and high transmission rate glass increase the power output and mechanical strength of solar module.
- EVA and TPT: Using EVA and TPT to prevent destroying and water.
- Al frame: Without screw, corner connection. 6 holes on the frame can convert be installed.
- Junction box: Multi function junction box with water proof.
- Long lifetime: ≥ 25 years.
Good performance of preventing from atrocious weather such as wind and hails etc, not effect by geology.

Installation Dimension*Technical Specification*

Cell	Polycrystalline	Dimensions (HxWxD)	329x290x25mm
No. of cells	36	Weight	1.2Kg
Maximum Power (Pm)	10W $\pm 5\%$	Time of quality guarantee	2 year
Maximum Power Voltage (Vpm)	17.5V	Output Power	90%, after 10 year operation
Maximum Power Current (Ipm)	0.57A		80%, after 25 years operation
Open circuit Voltage (Voc)	21V		
Short Circuit Current (Isc)	0.66A		
Coefficient Power Tk (Pn)	-0.43%		
Coefficient Voltage Tk(Uoc)	-80MV/ $^{\circ}$ C		
Coefficient Current Tk(Isc)	0.069 $^{\circ}$ C		
Max system voltage	1000V		
Working temperature	-45 $^{\circ}$ C-- $+85^{\circ}$ C		
Hail	130		
NOCT3	43 $^{\circ}$ C \pm 2 $^{\circ}$ C		