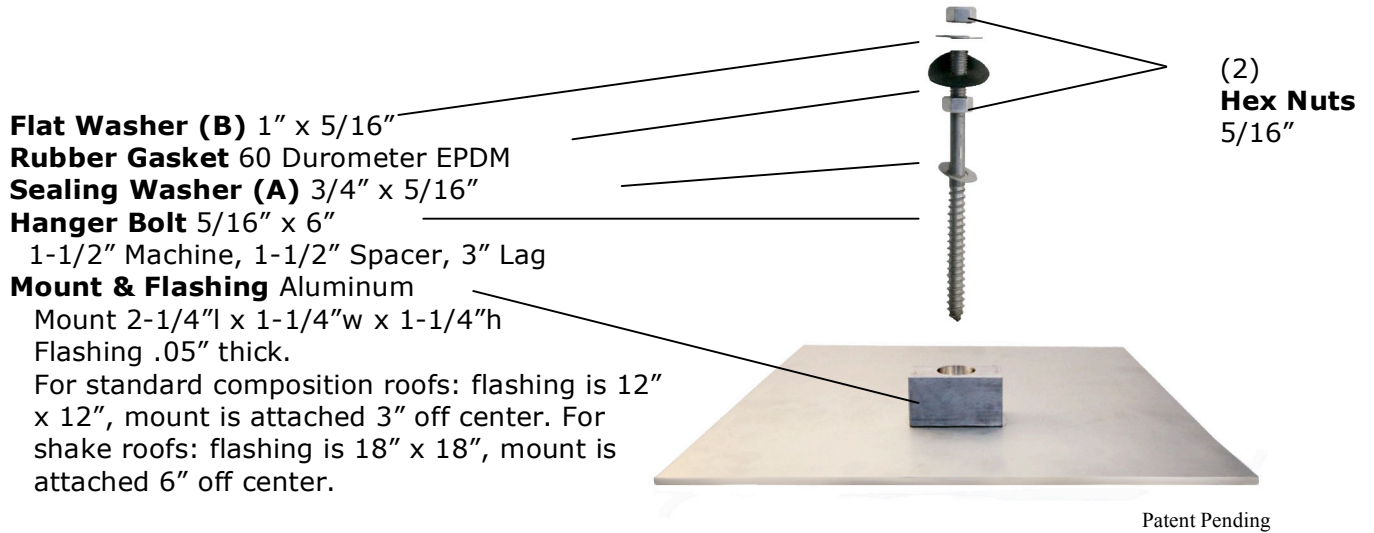


Quick Mount PV[®]

SPECIFICATION SHEET

Quick Mount PV™ is an all-in-one waterproof flashing and mount to anchor photovoltaic racking systems, solar thermal panels, air conditioning units, satellite dishes, or anything you may need to secure to a new or existing roof. It is made in the USA of all aluminum and includes stainless steel hardware. It works with all standard racks, installs seamlessly and saves labor by not needing to cut away any roofing, will out live galvanized 2 to 1, and is a better low-profile mount.



Lag pull-out (withdrawal) capacities (lbs) in typical lumber:

	Specific gravity	Lag screw specifications	
		5/16" shaft* 3" thread depth	5/16" shaft* per 1" thread depth
Douglas Fir, Larch	.50	798	266
Douglas Fir, South	.46	705	235
Engelmann Spruce, Lodgepole Pine (MSR 1650 f & higher)	.46	705	235
Hem, Fir	.43	636	212
Hem, Fir. (North)	.46	705	235
Southern Pine	.55	921	307
Spruce, Pine, Fir	.42	615	205
Spruce, Pine, Fir (E of 2 million psi and higher grades of MSR and MEL)	.50	798	266

Sources: Uniform Building Code; American Wood Council

Notes: 1) Thread must be embedded in a rafter or other structural roof member.

2) Pull-out values incorporate a 1.6 safety factor recommended by the American Wood Council.

3) See UBC for required edge distances.

*Use flat washers with lag screws.

936 Detroit Ave, Suite D, Concord, Ca. 94518
 Phone: (925) 687-6686 Fax: (925) 687-6689
 Email: info@quickmountpv.com www.quickmountpv.com

10-2007[SPECSHT]