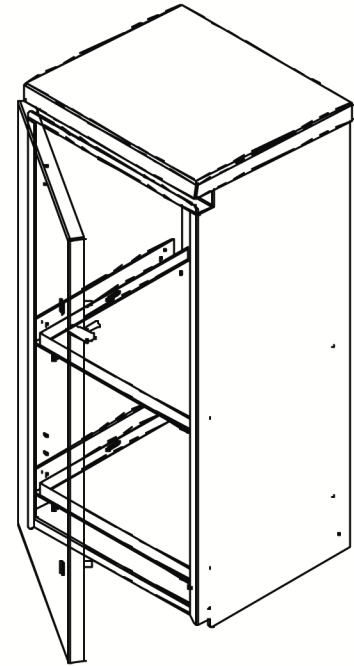
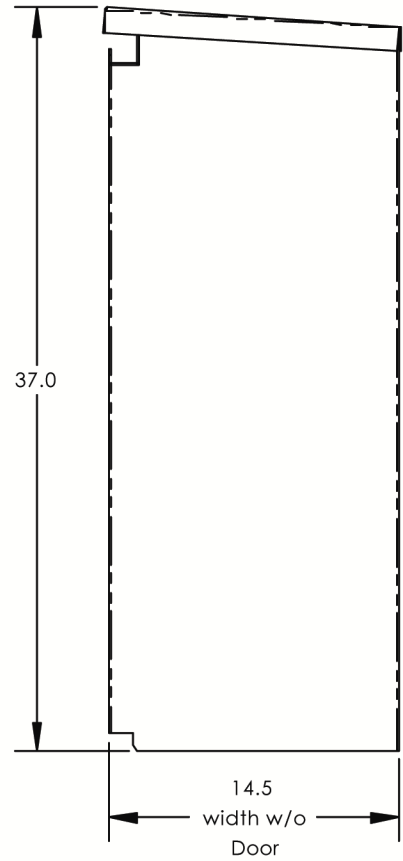
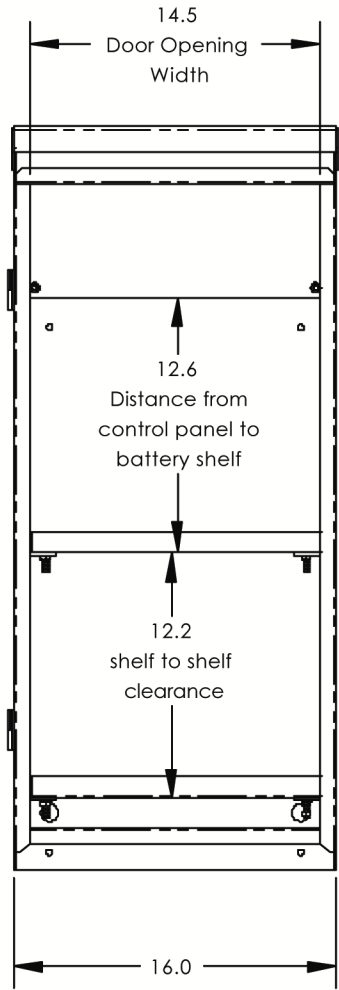


REVISIONS			
REV.	DESCRIPTION	DATE	APPROVED
B	Current Revision	06-01-04	D.E.Dell'Ara



	NAME	DATE
DRAWN	D.E.Dell'Ara	6-1-04
CHECKED		
ENG APPR.		



UNLESS OTHERWISE SPECIFIED:
DIMENSIONS ARE IN INCHES.

TOLERANCES:
ANGLES: +/- 1.5°
TWO PLACE DECIMAL: +/- .030
THREE PLACE DECIMAL: +/- .015

Enclosure, 1624BE-04A

SIZE A	DWG. NO. 55-1624-421	REV. B
------------------	-------------------------	------------------

SCALE:1:12 SHEET 1 OF 1

MATERIAL: .090 Alum	FINISH: Powder Coat
------------------------	------------------------

DO NOT SCALE DRAWING

PROPRIETARY AND CONFIDENTIAL
THE INFORMATION CONTAINED IN THIS DRAWING IS THE SOLE PROPERTY OF IRONRIDGE.
ANY REPRODUCTION IN PART OR AS A WHOLE WITHOUT THE WRITTEN PERMISSION OF IRONRIDGE IS PROHIBITED.