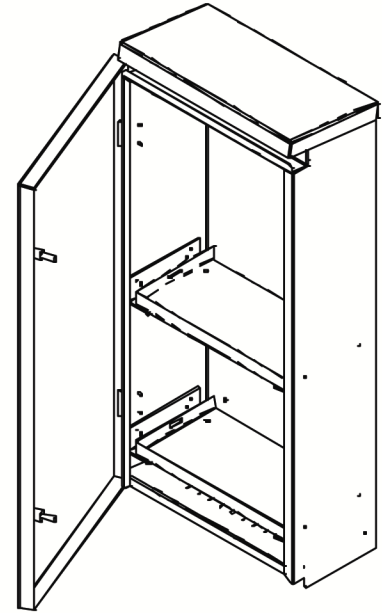
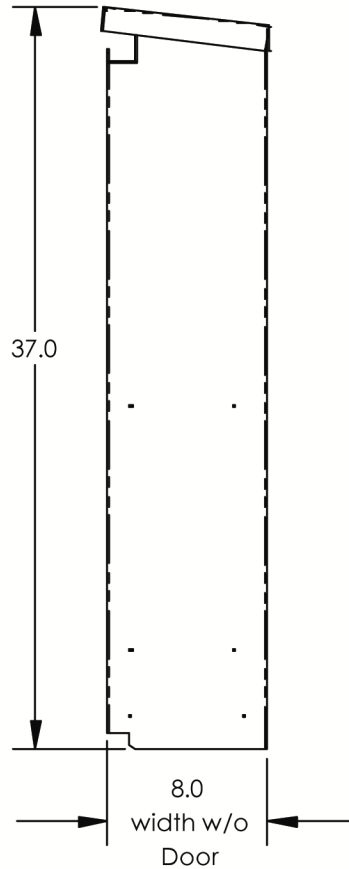
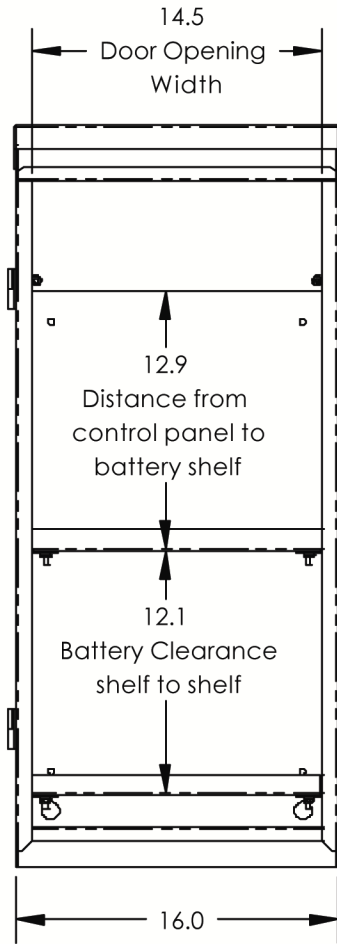


REVISIONS			
REV.	DESCRIPTION	DATE	APPROVED
A	Release for production	1-8-04	D.E.Dell'Ara



	NAME	DATE
DRAWN	D.E.Dell'Ara	1-7-04
CHECKED		
ENG APPR.		



UNLESS OTHERWISE SPECIFIED:
DIMENSIONS ARE IN INCHES.

Encl, 1624BE-02AV W/P.

TOLERANCES:
ANGLES: +/- 1.5°
TWO PLACE DECIMAL: +/- .030
THREE PLACE DECIMAL: +/- .015

SIZE	DWG. NO.	REV.
A	55-1624-231	A

SCALE: 1:12	SHEET 1 OF 1
-------------	--------------

MATERIAL	.080 Alum.	FINISH	powder, see spec.
----------	------------	--------	-------------------

DO NOT SCALE DRAWING

PROPRIETARY AND CONFIDENTIAL
THE INFORMATION CONTAINED IN THIS DRAWING IS THE SOLE PROPERTY OF IRONRIDGE.
ANY REPRODUCTION IN PART OR AS A WHOLE WITHOUT THE WRITTEN PERMISSION OF IRONRIDGE IS PROHIBITED.