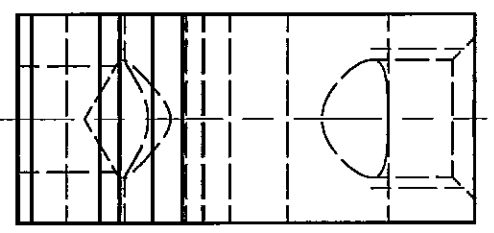
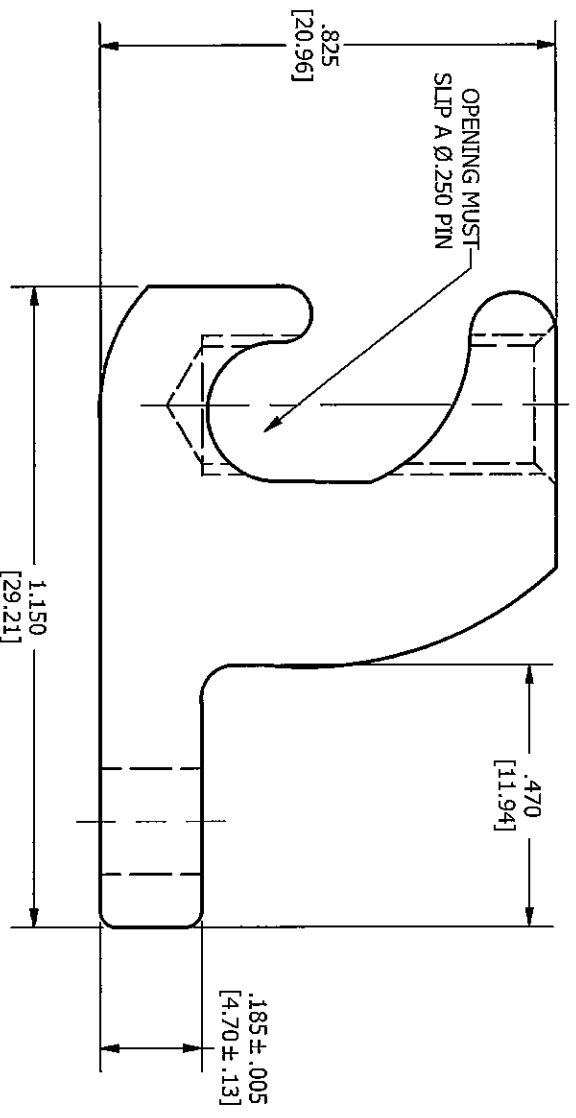
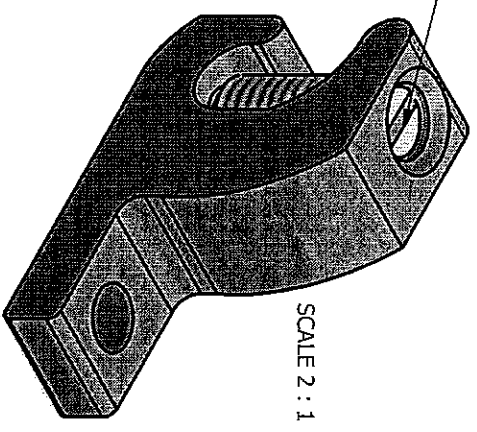
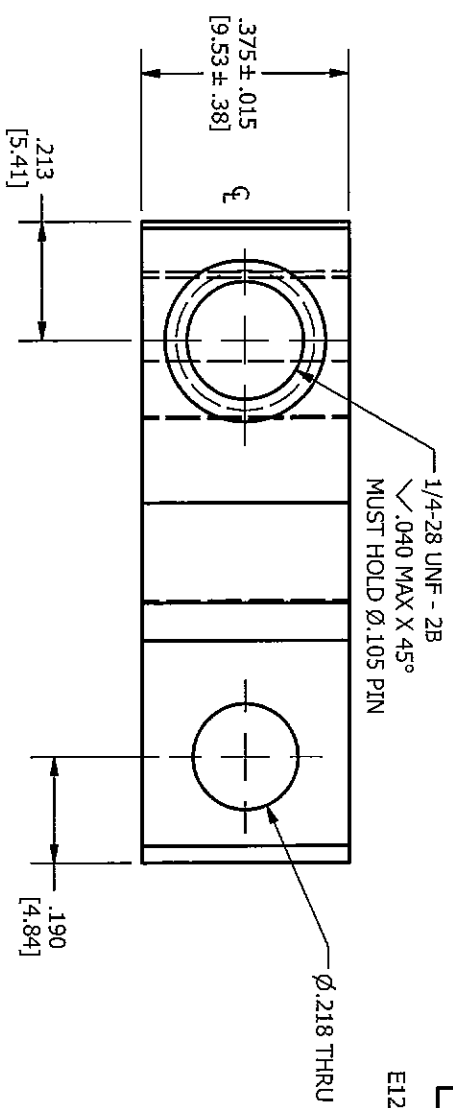


SCREW: E1276	MATERIAL: COPPER, X0C7309
CAT. NO.:	PLATING: SEE CHART
MASS: .052 LBS.	MARKING: Ⓛ GBL-4DB, 4-14, CU, DB Ⓛ Ⓛ
SURFACE AREA: 2.738 IN ²	DATE: 7/27/2007
STUFFER SHT: FORM 12	CELL: ABM

TOLERANCES-UNLESS OTHERWISE SPECIFIED	
2 PL. DEC. ± .015	TRUE C.L. ± .015
3 PL. DEC. ± .010	ANGLES ± 1
DRAWN BY: CLH	SCALE: 3:1
DATE: 7/27/2007	SIZE: A

DWG. NO.	G0977
SHEET 1 OF 1	
DESCRIPTION	E1276 TORQUED 5-15 IN LBS.
REV.	L
ADDED TORQUE TO SCREW	ECN 24258 CLH 04-10-08
ILSCO CORP.	



PART NUMBER	PLATING
G0977A00B	BRIGHT DIP
G0977A00T	EL-TIN

THE INFORMATION CONTAINED WITHIN THIS DOCUMENT IS PROPRIETARY TO ILSCO AND MAY NOT BE DISCLOSED WITHOUT PRIOR WRITTEN CONSENT