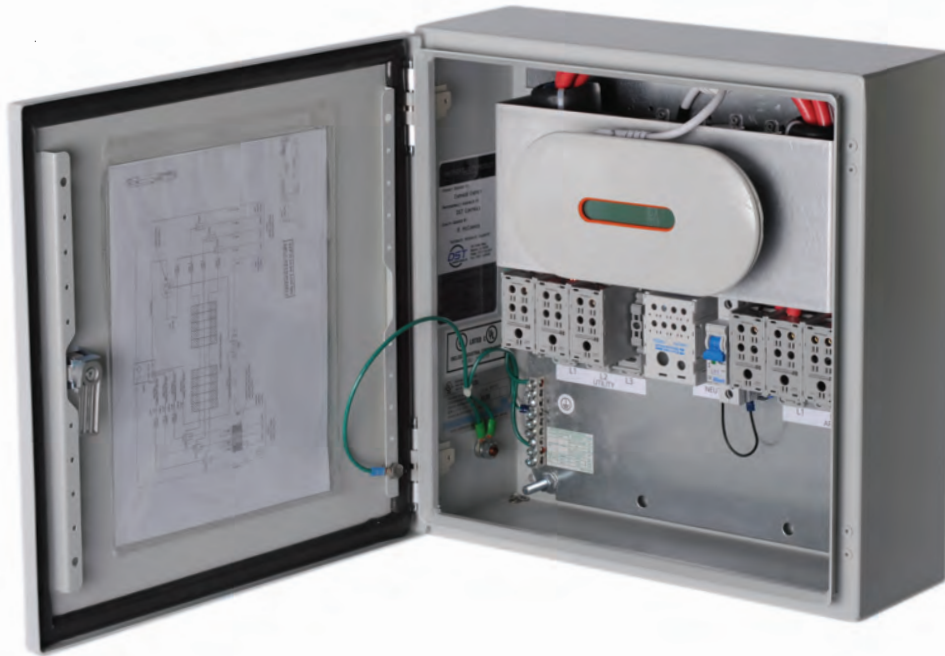


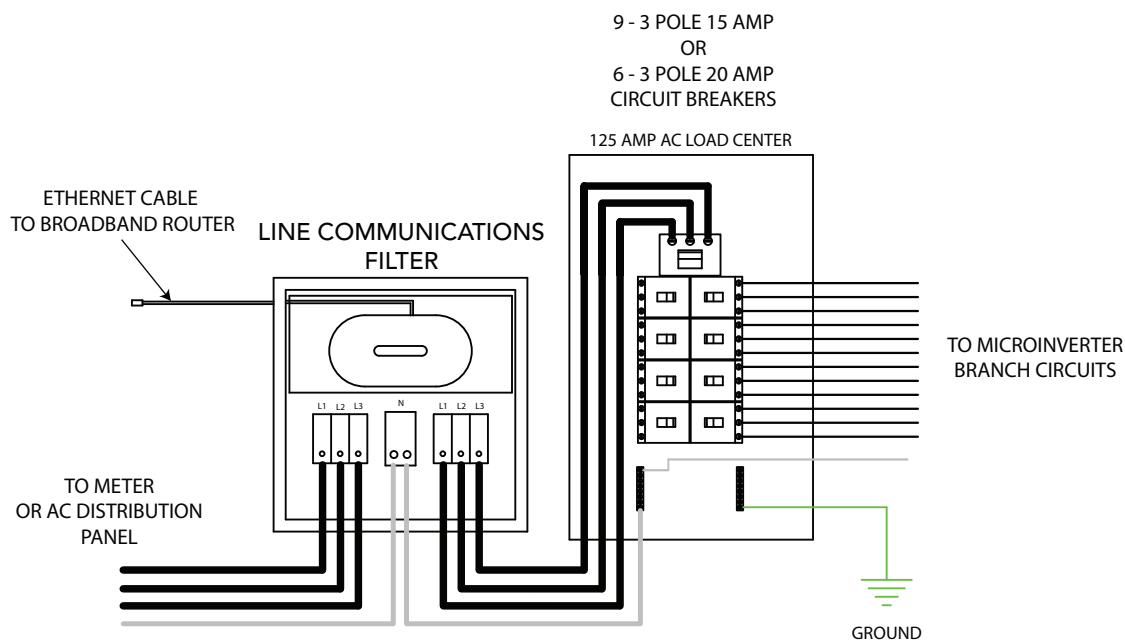


ENPHASE LINE COMMUNICATIONS FILTER



For commercial applications, Enphase Line Communications Filters (LCFs) are used to separate networking domains across the site. Just as with the Envoy, the LCF collects monitoring data gathered from the Enphase Microinverters and transmits that data to the Enlighten website for monitoring and analysis.

Each Enphase LCF contains an Envoy and a single electrical receptacle for powering it. The LCF also contains terminations for phase conductor lines in and out. By running phase conductors through the LCF, it filters the communication and eliminates any potential inter-Envoy crosstalk.



ELCF-120-001	
Unit Ratings	
Operating Voltage	208/240 Vac
Maximum Voltage	600 Vac
Continuous Current	100 Amps
Maximum Overcurrent Protection Device	125 Amps
Short Circuit Current	10kA rms symmetrical
Branch Circuits Supported	
208 Vac three phase, approx. 35.9 kW AC	
M190-72-208-S1x	189 microinverters: nine 15 amp branch circuits with 21 microinverters each
M210-84-208-S12	162 microinverters: nine 15 amp branch circuits with 18 microinverters each
D380-72-2LL-S1x	90 microinverters: six 20 amp branch circuits with 15 microinverters each
240 Vac single phase, approx. 24 kW AC	
M190-72-240-S1x	120 microinverters: eight 15 amp branch circuits with 15 microinverters each
M210-84-240-S12	104 microinverters: eight 15 amp branch circuits with 13 microinverters each
D380-72-2LL-S1x	60 microinverters: six 20 amp branch circuits with 10 microinverters each
Terminal Block Data	
L1, L2, L3	Single 2/0 maximum
Neutral	2/0 maximum and 350 mcm maximum
Equipment Grounding	4 AWG maximum
Mechanical Data	
Operating temperature range	-40°C to +65°C
Power consumption	5 W
Dimensions (WxHxD)	15.75" x 15.75" x 6.00"
Weight	30.5 lbs
Cooling	Natural convection – no fans
Enclosure environmental rating	Outdoor – NEMA TYPE 4
Features	
Communication Interface	Ethernet, 10/100 auto sensing, auto negotiating
Warranty	1 year
Compliance	UL508A