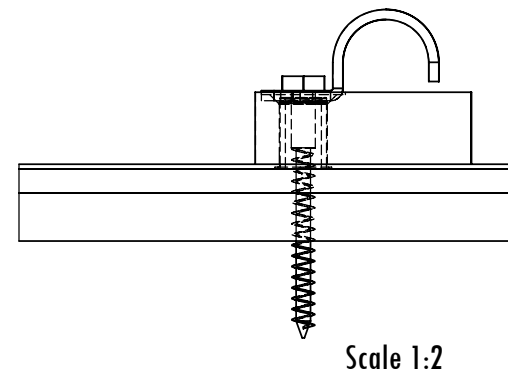
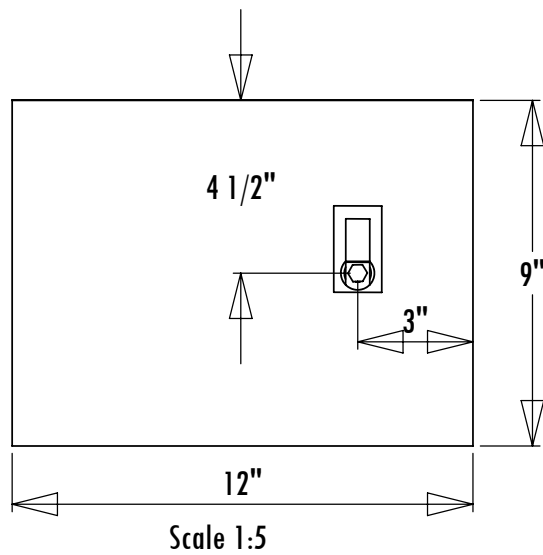



*Block handles conduit clips from 1/2" to 1-1/2"



TITLE:	QMLCC with Block, Exploded View, for Composition Shingle Roof	
COMMENTS	FILE NAME	QMLCC_EXP
DATE	7/28/08	 Quick Mount PV [®] Your <i>Solution</i> in Mounting Products Solar • H ₂ O • Conduit • HVAC • Custom
REVISION		
DRAWN BY	A.B.K.	

INSTALLATION INSTRUCTIONS

Quick Mount PV[®]

(925) 687-6686
www.quickmountpv.com

TOOLS NEEDED

Measuring tape, roofer's flat bar, stud finder, caulking gun with roofing sealant (Geocell 2300), drill with 3/16" long bit, drill with 7/16" socket.

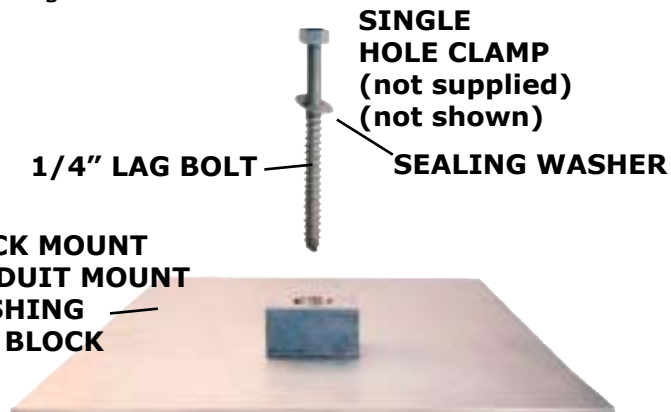


1. LOCATE RAFTER Select location of Conduit Mount in path of conduit, centered over a rafter and mark drilling location



2. DRILL PILOT HOLE Using a drill with a 3/16" long bit, drill pilot hole through roof and rafter, taking care to drill square to the roof.

**QUICK MOUNT
CONDUIT MOUNT
FLASHING
AND BLOCK**



3. LIFT COMPOSTION
Lift composition roof shingle with roofers bar, just above placement of Conduit Mount.

4. SEAL HOLE Using caulking gun with Geocell 2300 sealant, squeeze a dab into drilled hole.



**5. SLIDE QUICK MOUNT
INTO PLACE**
Lift comp tile and slide Quick Mount into place.

**6. SET LAG BOLT, SEALING
WASHER & SINGLE HOLE CLAMP**
Using drill with 7/16" socket, set lag bolt as shown, tighten into place with conduit in position.

