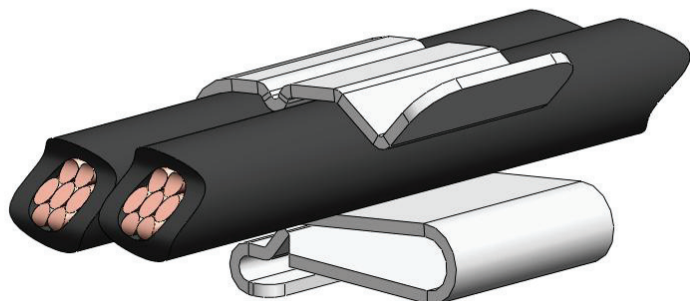


ACC Acme Cable Clips

ACME Cable Clips simplify wire management and create a cleaner aesthetic to solar PV arrays. The clips are made of corrosion resistant stainless steel and are designed to prevent damage to cable insulation. The easy to install and remove design only requires a flat head screwdriver and can be reused, unlike zip ties. The universal design fits most modules and can hold one or two wires.



- Made with corrosion resistant 300 series stainless steel
- Dual wire compartments
- Special tab for easy installation and removal with flat-head screwdriver
- Designed to prevent damage to cable insulation
- Sized for USE-2 cable (5-5.4mm) or PV cable (6.8-7.2mm)

ACC

Holds: 1 to 2 USE-2 wires
or 1 PV wire



ACC- PV

Holds: 1 to 2 PV wires



(800) 967-6917

www.dcpower-systems.com

Contact us at: 845.247.4708 www.we-llc.com



800.822.4041

www.solardepot.com